

# *Paradise Series*

## *Pre-Delivery Instructions*



CalderaSpas®  
*Come to Life*

Please take the time to read this booklet carefully, as it will provide you with the information you will need to ensure the safe, secure, and timely installation of your new spa. The following sections are guidelines on how to prepare for delivery and set-up of your new spa. Specifically covered are site selection, delivery access, ground preparation, and electrical requirements.

Remember to carefully read the Owner's Manual that accompanies your spa and to complete the warranty card within ten days of delivery. These items, along with other valuable information, are included in the Owner's Packet which can be located in the equipment compartment of your spa. You will also find your serial number in the equipment compartment.

Watkins Manufacturing Corporation reserves the right to change features, specifications, and design without notification and without incurring any obligation.

DATE PURCHASED: \_\_\_\_\_

DATE INSTALLED: \_\_\_\_\_

DEALER: \_\_\_\_\_

ADDRESS: \_\_\_\_\_

TELEPHONE: \_\_\_\_\_

In most cities and counties, permits will be required for the installation of electrical circuits or the construction of exterior surfaces (decks and spa enclosures). In addition, some communities have adopted residential barrier codes which may require fencing and/or self-closing gates on the property to prevent unsupervised access to a pool (or spa) by children under 5 years of age. Your Caldera® spa is equipped with a locking cover that meets the ASTM F1346-91 Standard for Safety Covers, and as a result, is usually exempt from most barrier requirements. As a general practice, your local Building Department will inform you of any applicable barrier requirements at the time a permit is obtained for the installation of an electrical circuit. Your Caldera dealer can provide information on which permits may be required.

# *Pre-Delivery Instructions*

## **SITE SELECTION AND PREPARATION**

**IMPORTANT:** Site selection and preparation are your responsibility. Carefully read these instructions and consult your authorized Caldera® dealer if you have any questions.

You probably have a spot picked out for your new spa, whether it's indoors or outdoors, on a patio or on a deck. Just make sure you check the following:

- Always put your spa on a structurally sound, level surface. A filled spa can weigh a great deal. Make certain that the location you choose can support the weight of your filled spa.
- Don't forget to level your spa. (See the Ground and Spa Leveling Preparation section on the next page.)
- Locate your equipment compartment, which houses all of the electrical components, in a place where water will drain away from it. Allowing water into the equipment compartment can damage the electronics, or may result in tripping your house's circuit breaker.
- Leave yourself easy access to the circuit breakers in the subpanel.
- Never let water get into the subpanel. Your 230 volt spa's subpanel is raintight when installed correctly with the door closed.
- Leave access to the entire front of the spa (the removable panel provides access to the spa's equipment) for periodic spa care and maintenance.

## **INDOOR/BASEMENT INSTALLATION**

Be aware of some special requirements if you place your spa indoors. Water will accumulate around the spa, so flooring materials must provide a good grip when wet. Proper drainage is essential to prevent a build-up of water around the spa. When building a new room for the spa, it is recommended that a floor drain be installed. The humidity will naturally increase with the spa installed. Water may get into woodwork and produce dry rot, mildew, or other problems. Check for airborne moisture's effects on exposed wood, paper, etc. in the room. To minimize these effects, it is best to provide plenty of ventilation to the spa area. An architect can help to determine if more ventilation must be installed.

Caldera spas are equipped with a jet pump shroud to remove excessive heat from the equipment compartment. Find this vent, and be sure it is not blocked by anything, including carpeting.

Your Caldera dealer can help you with local information such as zoning regulations and building codes.

## **DECK INSTALLATION**

To be certain your deck can support your spa, you must know the deck's maximum load capacity. Consult a qualified building contractor or structural engineer before you place the spa on an elevated deck or indoors. To find the weight of your spa, its contents and occupants, refer to the Spa Specification chart (on back cover). This weight per square foot must not exceed the structure's rated capacity, or serious structural damage could result.

## **OUTDOOR AND PATIO INSTALLATION**

No matter where you install your new spa, it's important that you have a solid foundation to support it. Structural damage to the spa resulting from incorrect installation or placement on an inadequate foundation is not covered under the spa's limited warranty. (See next page for specifics)

## **GROUND AND SPA LEVELING PREPARATION**

Your Caldera spa has been engineered to perform on several types of common yard surfaces. While a concrete slab is best for long-term use\*, other foundations are acceptable as long as a level base is prepared prior to delivery. Three foundation base pictures, shown on following page, represent examples of alternatives to a concrete slab for spas installed without gazebos or other accessories.

**\*NOTE:** A reinforced concrete pad at least four inches thick or structurally sound deck able to support the "dead weight" found in the spa specification chart is required for the Makena®, Salina® spas, and recommended for the



Martinique® and Kauai® spas. The reinforcing rod or mesh in the pad should be attached to a bond wire.

- Concrete sloped at 1/2 inch per 10 feet is preferred so that rain water and water spillover will run off and not puddle underneath the spa (water under the spa for long periods of time may cause the wood to deteriorate).
- If stepping stones or railroad ties are selected for the spa foundation, they should be placed and leveled below the entire spa to maintain even distribution of the spa weight.
- It is important to note that soft surfaces, even when stepping stones are used to distribute the weight of the spa as evenly as possible, will still have a tendency to settle unevenly, resulting in an unlevel spa.
- Remember, placing the spa on grass or dirt may increase the amount of debris which is inadvertently brought into the spa water on the user's feet.

If you are purchasing a deck package or a spa enclosure with your spa, a solid foundation becomes mandatory. Placing them on any surface other than a single level pad could create problems with their installation. Pictured at right are a few of the recommended surfaces.

As a homeowner, it is your responsibility to provide a suitable, level foundation for your spa. Keep in mind that most delivery crews are not equipped to level and prepare spa sites.

If you are interested in having a concrete slab, brick surface, or wood deck installed, your Caldera dealer should be able to suggest a qualified, licensed contractor.

## **DELIVERY ACCESS**

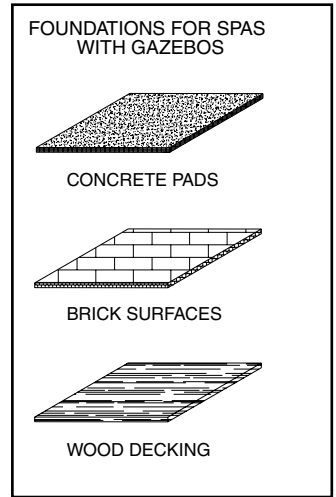
First, locate the dimensions of your spa on the chart that is found on the next page. The dimensions shown are the measurements of the spa in the vertical position, laid on its side.

Next, contact your dealer to find the height and width added by the delivery cart which the dealer will use to deliver your new spa. Use the height of the cart plus the dimension shown as H to determine the vertical clearance required to pass the spa and cart. Use the width of the cart, or dimension W, whichever is greater, to determine the maximum width of clearance necessary.

**NOTE:** It may be necessary to allow for additional over-head clearance if the spa will be rolled up or down an incline or moved up or down a short flight of stairs.

Use the information in the picture below to determine the requirements for access to your desired location. It may be necessary to remove a gate, part of a fence, or other movable obstructions in order to roll the spa to its installation site. About ten percent of the time, a crane is the only way to install the spa by lifting it to its final destination.

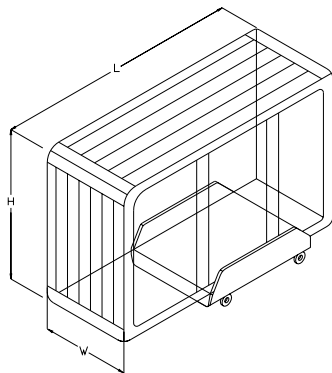
If the spa has to be taken off of the cart to go over a wall (either because the entry area is too narrow, the eaves are too low, the corner is too tight, or the stairway is too steep), a crane will be required. Don't be alarmed!



# Pre-Delivery Instructions

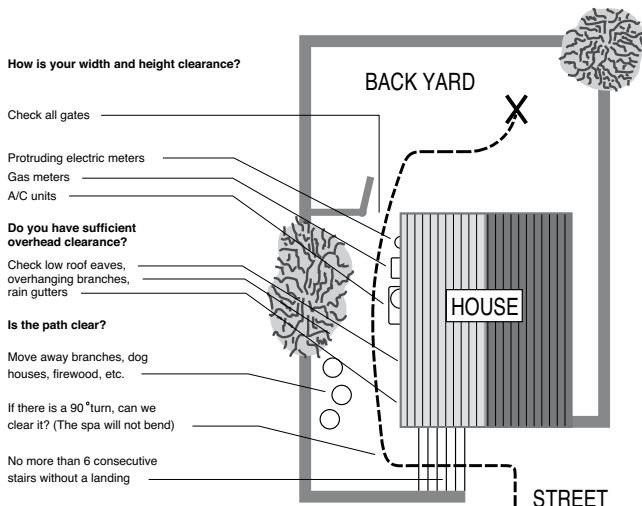
The crane has a truck-mounted boom which can fit right in your driveway. It is run by a licensed and insured operator. For a charge, the crane operator will lift your spa over walls, buildings, or any other obstruction and place it as close to the installation site as possible. The Caldera® spa delivery personnel will supervise the crane delivery and complete the spa installation.

If your spa delivery requires the use of a crane, you may be required to pay for its services at the completion of the delivery.



## SPA DIMENSIONS

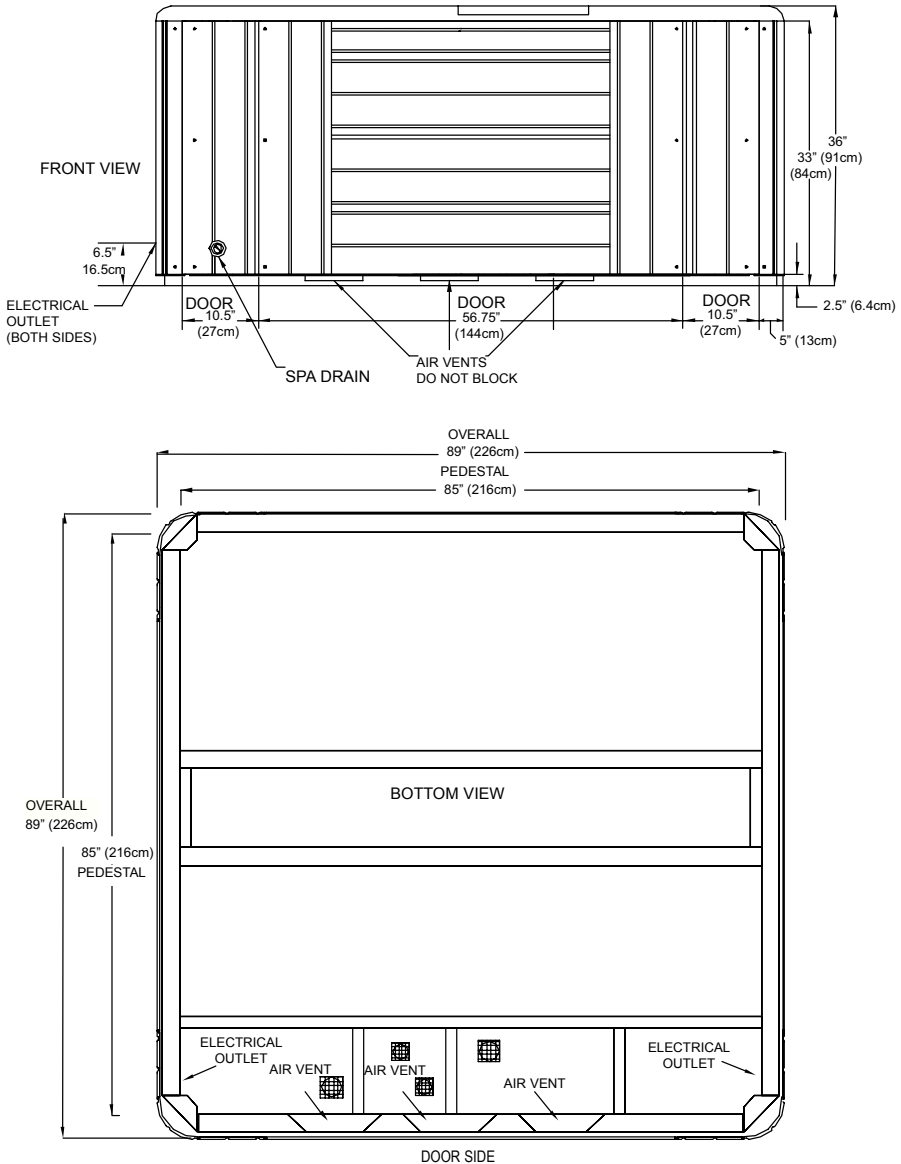
Model	Width (W)	Length (L)	Height (H)
Makena®	36"	7' 5"	7' 5"
Salina®	36"	7' 5"	7' 5"
Martinique®	34"	7' 5"	6' 4"
Kauai®	29.5"	7' 0"	5' 5"





# Makena<sup>®</sup> and Salina<sup>®</sup>

**NOTE: All dimensions are approximate; measure your spa before making critical design or pathway decisions.**



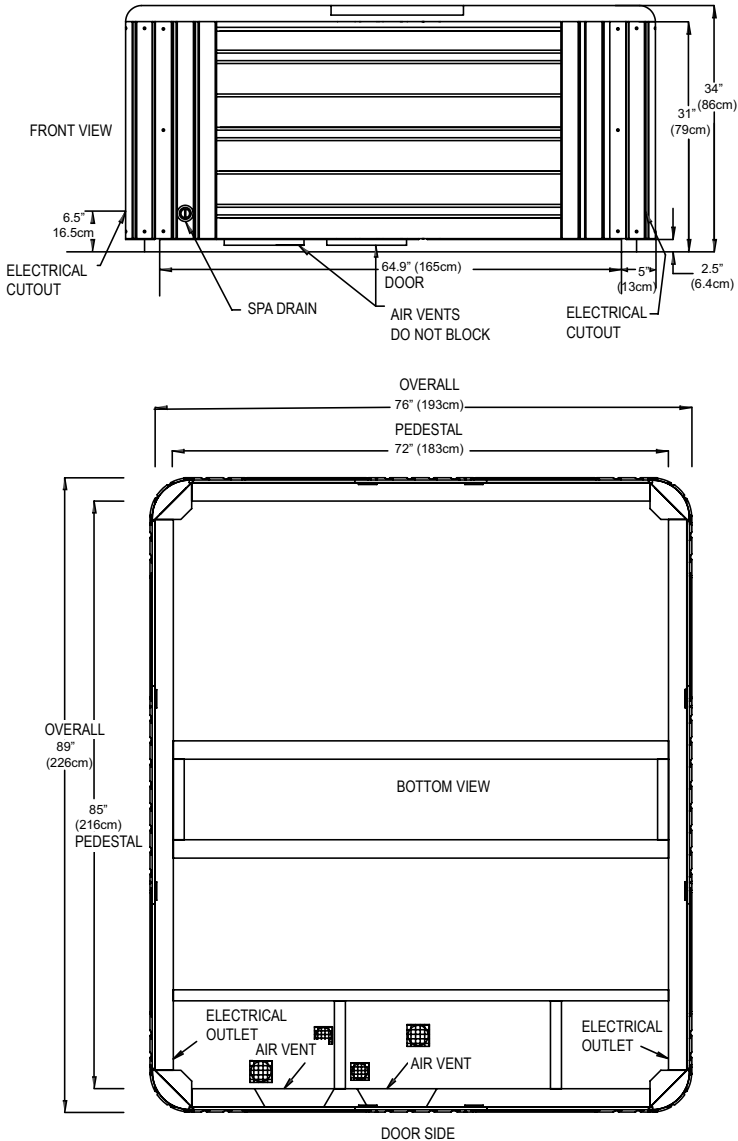
**NOTE:** Watkins Manufacturing Corporation requires that the Makena and Salina be installed on a minimum 4" thick reinforced concrete pad or structurally sound deck able to support the "dead weight" found in the spa specification chart.

**WARNING:** The Makena and Salina must not be shimmed in any manner.

# Pre-Delivery Instructions

## Martinique®

**NOTE: All dimensions are approximate; measure your spa before making critical design or pathway decisions.**



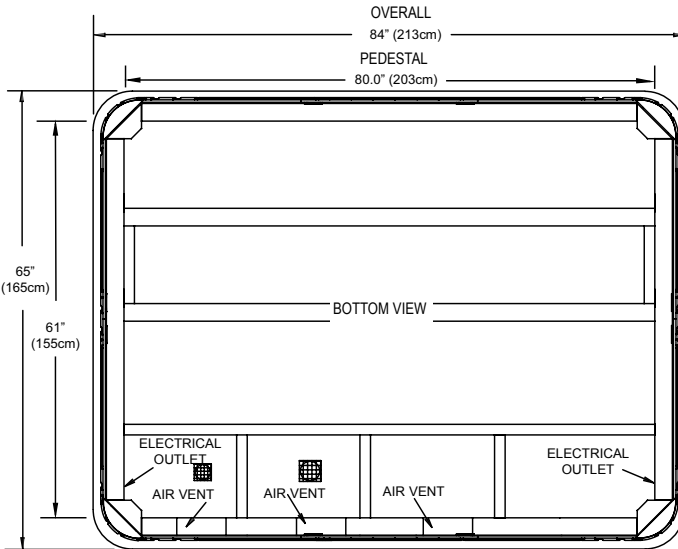
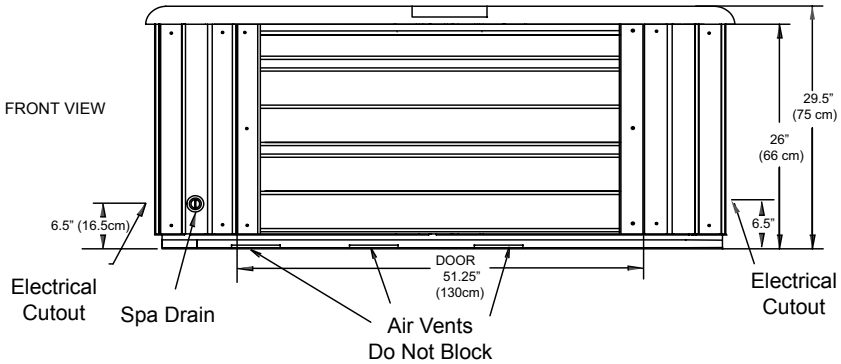
**NOTE:** Watkins Manufacturing Corporation recommends that the Martinique be installed on a minimum 4" thick reinforced concrete pad or structurally sound deck able to support the "dead weight" found in the spa specification chart.

**WARNING:** The Martinique must not be shimmed in any manner.



# Kauai<sup>®</sup>

**NOTE: All dimensions are approximate; measure your spa before making critical design or pathway decisions.**



DOOR SIDE

**NOTE:** Watkins Manufacturing Corporation recommends that the Kauai be installed on a minimum 4" thick reinforced concrete pad or structurally sound deck able to support the "dead weight" found in the spa specification chart.

**WARNING:** The Kauai must not be shimmed in any manner.

# Pre-Delivery Instructions

## ELECTRICAL REQUIREMENTS

To ensure you will have an opportunity to use your spa soon after delivery, it is very important that the required electrical service has been installed. Unless otherwise stipulated by your dealer, **THIS IS YOUR RESPONSIBILITY.** **IMPORTANT:** All electrical circuits must be installed by a qualified, licensed electrician.

### 230 VOLT INSTALLATION

Your spa contains a control box designed to operate at 230V, 60Hz. Installation of a 50 amp. dedicated circuit is recommended. The control box must be hard wired directly to a subpanel protected by a Ground Fault Circuit Interrupter (GFCI). The subpanel containing GFCI breakers is included with the spa.

**IMPORTANT NOTE:** All electrical connections to the control box must be accomplished by a qualified electrician in accordance with the National Electrical Code and in accordance with any local electrical codes in effect at the time and place of installation.

All electrical connections must be made in accordance with the wiring information contained in this manual and on the back of the field wiring access panel of the control box. A licensed electrician should install a four-wire electrical service (two line voltages, one neutral, one ground) from the main electrical service panel to the subpanel. The equipment pack requires a MINIMUM of 112 volts per line under load.

The grounding conductor must be at least #10 AWG. Your electrician should mount the subpanel in the vicinity of the spa but it should not be closer than five (5) feet from the spa water edge (NEC 680-38 to 41-A-3).

**INSTALLATION NOTE:** After the spa has been installed, your electrician can connect the conduit from the subpanel to the spa's control box and then complete the wiring connections in the control box.

**NOTE:** Complete step-by-step Installation and wiring instructions for all models are included in the Owner's Manual and with each sub-panel, which can be obtained from your dealer.

**WARNING:** Removing or bypassing the GFCI breakers in the subpanel at any time will result in an unsafe spa and will void the warranty.

### POWER CONNECTION

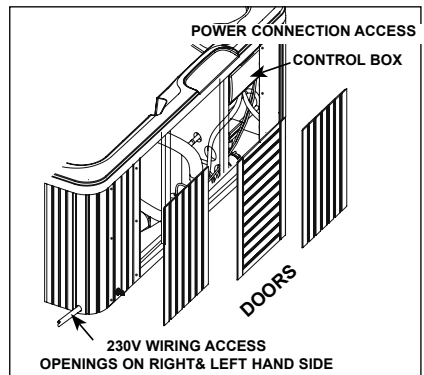
To connect power to the spa, refer to "230 VOLT WIRING SCHEMATIC DIAGRAM" and "POWER CONNECTION ACCESS" illustrations. Then proceed with the following steps:

When supplying power, remove the screws securing the equipment door. Push the panel up to disengage the clip and remove the panel to allow access to the input power wiring.

**NOTE:** The 230V wiring diagram is located on the inside of the Control Box Cover.

**IMPORTANT:** The following must be followed to properly install the equipment compartment door.

- Place top of door or panel directly below bartop against the frame of the spa.
- Push bottom of door or panel against the spa frame.
- Slide door or panel upward (pushing in on center of door to ensure door clips catch) until screw holes line up, making sure that the exterior fiber optic light cable will fit into the fixture.
- Slightly pull on door or panel. If door remains against the spa, then replace the screws.
- If the door does not lock into position, repeat the previous steps.

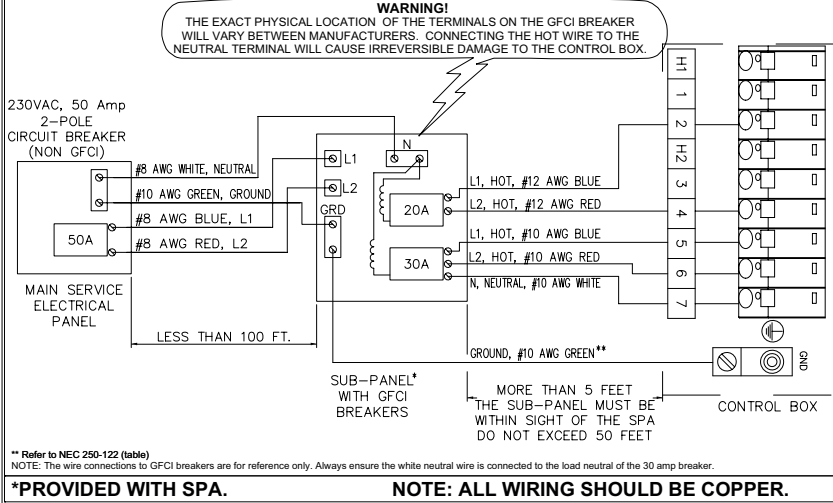






# PARADISE SERIES

## 230 Volt Permanently Connected



# Pre-Delivery Instructions

## SERVICES AVAILABLE FROM YOUR CALDERA® SPA DEALER

<b>SERVICE</b>	<b>COST</b>
Pre-Delivery site inspection	
Deliver spa to installation site	_____
Unwrap spa and haul away packaging material	_____
Set up spa	_____
Fill the spa with water and add FROG® bromine and mineral cartridges	_____
Explain and test the spa's operation:	
• Lighting	
• Optional Caldera® Entertainment System	
• Control panel functions	
• Set temperature control	
Explain the safety features	_____
• GFCI	
• Heater high limit	
General spa operation & maintenance orientation	_____
Water quality and maintenance orientation	_____
Adjust the water's pH, Total Alkalinity and Calcium Hardness	_____
Sanitize the water	_____
Inspect the spa cover, place on spa, and install cover locks	_____
Review winterizing instructions	_____
Review Owner's Manual & complete Warranty Card	_____
Follow-up call	_____
In-store spa water analysis	_____
<b>TOTAL COST</b>	_____

## ADDITIONAL PRODUCTS AVAILABLE FROM YOUR CALDERA SPA DEALER

- Monarch® water and spa care products
- FROG watercare
- Vanishing Act® Calcium Remover
- Clean Screen® Pre-Filter
- Replacement Filter Cartridges
- Ozone Systems
- Cover Lifters
- Lighting Systems
- Upgrade Jet Kits
- Caldera Entertainment Systems



## ***ADDITIONAL PRODUCTS AVAILABLE FROM YOUR CALDERA SPA DEALER - CONTINUED***

- Retractable cover system with clearance requirements:
  - ProLift® - 14" Clearance Required
  - ProLift II** - 24" Clearance Required
  - ProLift III** - 24" Clearance Required (Required for Cantabria®)
  - ProLift IV** - 7" Clearance Required

# UTOPIA AND PARADISE SPA SPECIFICATIONS

	Footprint dimensions	Height	Effective filter area	Heater (Watts)	Water capacity	Dry weight	Filled weight*	Dead weight	Electrical Requirements
Paradise Makena®	7'5" x 7'5"	36"	75 square feet	4,000	395 gallons	1,020 lbs.	5,365 lbs.	120 lbs. per square foot	230 volt, 30 or 50 amp Single phase GFCI protected circuit
Paradise Salina®	7'5" x 7'5"	36"	75 square feet	4,000	420 gallons	1,005 lbs.	5,735 lbs.	130 lbs. per square foot	230 volt, 30 or 50 amp Single phase GFCI protected circuit
Paradise Martinique®	7'5" x 6'4"	34"	50 square feet	4,000	395 gallons	930 lbs.	5,100 lbs.	135 lbs. per square foot	230 volt, 30 or 50 amp Single phase GFCI protected circuit
Paradise Kauai®	7'0" x 5'5"	29.5"	50 square feet	4,000	230 gallons	740 lbs.	3,185 lbs.	105 lbs. per square foot	230 volt, 30 or 50 amp Single phase GFCI protected circuit

**CAUTION:** Watkins Manufacturing Corporation suggests a structural engineer or contractor be consulted before the spa is placed on an elevated deck.

\* **NOTE:** The "Filled weight" and "Dead weight" of the spa includes the weight of the occupants (assuming an average occupant weight of 175 lbs).

**NOTE:** For 30 amp conversion contact your local dealer.



WATKINS MANUFACTURING CORPORATION

1280 Park Center Drive

Vista, California 92081

(800) 669-1881 extension 8432

©2016 Watkins Manufacturing Corporation. Caldera, Makena, Salina, Martinique, Kauai, SpaGlo, Monarch, ProLift and The Home Relaxation Specialists are trademarks of Watkins Manufacturing Corporation. FROG is a registered trademark of King Technology, Inc.